

Features

Heavy duty, full opening manhole designed to exceed all DOT regulations for 406 series manholes. Rated at 36 psig with optional vapor recovery (shown in drawing below), "Smart Vent"* and other cover openings available. Unique collar/cover combination allows secure connection for new installation or easy retrofit to existing collar. Heavy duty aluminum cover and collar with Buna-N gaskets as standard materials. Other gasket materials available. See separate product listings for vapor recovery.**

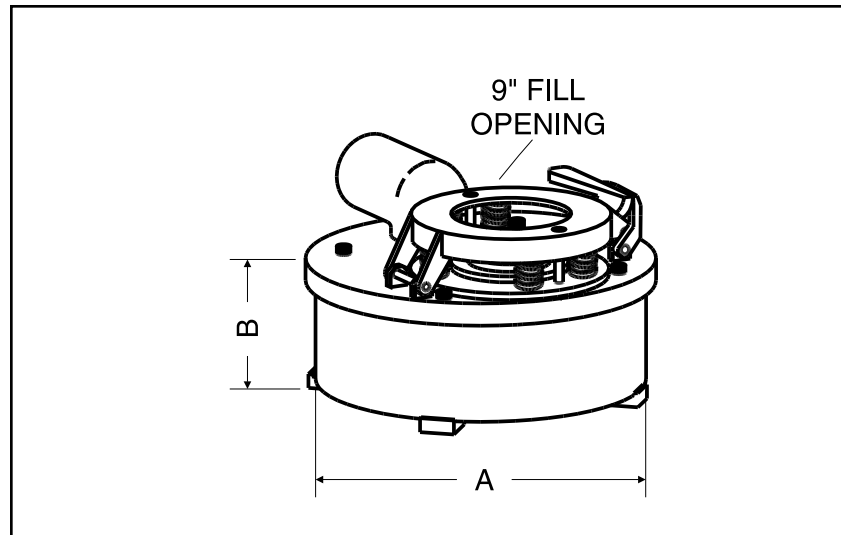
*Refers to #2100 "Smart Vent"

**Refers to #2135 Vapor Recovery Vent



2120

Part No.	Size	Wt.	A	B
2120-03-1600	16"		10.0	16.5 5.75
2141-03-2000	20"		18.0	20.5 5.75



ORDERING GUIDE

<u>Part #</u>	<u>Description</u>
2120-03-1600	16" Manhole
2120-03-1605	16" Manhole w/emergency vent
2120-03-1610	16" Manhole w/emergency vent, vapor recovery
2120-03-1630	16" Retrofit cover assembly
2120-03-1635	16" Retrofit cover assembly w/emergency vent
2120-03-1640	16" Retrofit cover assembly w/emergency vent, vapor recovery
2141-03-2000	20" Manhole
2141-03-2005	20" Manhole w/emergency vent
2141-03-2010	20" Manhole w/emergency vent, vapor recovery
2141-03-2030	20" Retrofit cover assembly
2141-03-2035	20" Retrofit cover assembly w/emergency vent
2141-03-2040	20" Retrofit cover assembly w/emergency vent, vapor recovery

